

## General Information

### How do I recycle expired or depleted batteries from my LIFEPAK® defibrillator?

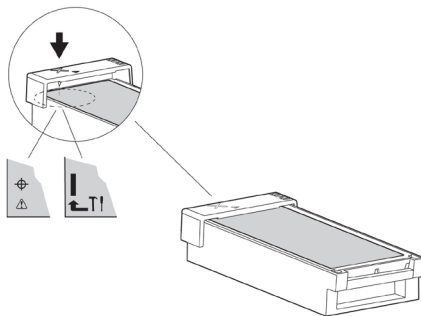
**Explanation:**

Batteries from some LIFEPAK devices need to be discharged before recycling or disposal to avoid accidental discharge or venting.

**LIFEPAK® 500 Defibrillator Non-rechargeable Batteries**

The disposable battery discharger is used to deplete a used nonrechargeable LIFEPAK 500 battery pak before disposal or recycling.

1. Align the X on the discharger over the ⊕ symbol on the battery.
2. Push the discharger down firmly until it fits snugly against the battery and the discharger point punctures the label. This action begins the discharging process. It is not necessary to leave the discharger attached afterward.
3. Set the battery pak aside. Wait for at least 1 week to make sure that the battery pak is fully discharged before disposing.



**LIFEPAK® 500 Defibrillator Rechargeable Batteries**

No preparation is required before disposal.

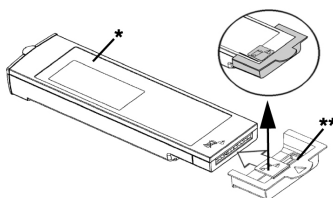
**LIFEPAK CR® Plus Defibrillator CHARGE-PAK™ Battery Charger**

1. Insert the discharger that came with your new CHARGE-PAK kit into the old CHARGE-PAK.
2. Set the CHARGE-PAK aside and let it fully discharge for 9 days before disposal.



**LIFEPAK® 1000 Defibrillator Non-Rechargeable Batteries**

1. Cover the battery terminal with the plastic discharging cap that came with your new battery.
  2. Wait 14 days before recycling or disposing of the battery pak.
- Do not insert the discharger into a new battery pak. This will cause the new nonrechargeable battery pak to deplete and make it unusable.



**Disposing of Nonrechargeable Batteries**

After fully discharging a lithium battery pak as described previously, dispose of the battery pak. Follow your national, regional, and local regulations for disposal. Contact a local Physio-Control representative for more information.

In the USA, Environmental Protection Agency and Department of Transportation regulations allow disposal of lithium batteries with ordinary household waste provided that they are fully discharged. Be sure to comply with any other local or regional regulations before disposal. For more information or assistance, contact your local Physio-Control representative or call 1.800.442.1142.

**Disposing of SLA Batteries**

Once you have properly prepared your battery, recycle it by following your national, regional, and local governmental regulations for disposal. If recycling is not possible contact your local Physio-Control representative for more information.

**LIFEPAK® 20/20e Defibrillator/Monitor Batteries**

No preparation is required before disposal.

**LIFEPAK® 12 Defibrillator/Monitor Batteries**

No preparation is required before disposal/recycling.

**LIFEPAK® 10 Defibrillator/Monitor/Pacemaker Batteries**

No preparation is required before disposal.

**LIFEPAK® 9 Defibrillator Batteries**

No preparation is required before disposal.

**References:**

Please refer to your LIFEPAK Operating Instructions for further information. Manuals for most products are online. More information about recycling electronic components can be found at the U.S. EPA website: <http://www.epa.gov/epawaste/conservation/materials/recycling/index.htm>.

**Applies to:**

LIFEPAK 20/20e defibrillator/monitor

LIFEPAK 12 defibrillator/monitor

LIFEPAK 10 defibrillator/monitor/pacemaker

LIFEPAK 9 defibrillator/monitor

LIFEPAK 1000 defibrillator

LIFEPAK 500 AED

LIFEPAK CR Plus AED

**For further information, please contact your Physio-Control representative at 800.442.1142 or visit our website at [www.physio-control.com](http://www.physio-control.com)**